


## FOLDING GATE

### Description

The folding gates are widely used in the protection of the entrances and windows of residential buildings and of commercial sites like shops, stores, offices. The following features make the folding gates the best choice now in terms of good quality and low price: reduced overall dimensions, readiness for installation, tailor-made design, easiness for use and maintenance, robustness, durability.

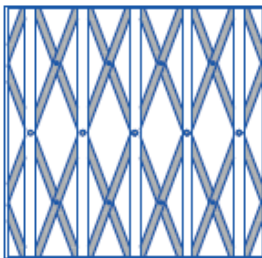
The posts are made of 2 opposite "U" shaped profiles; dimensions of the section of the profile are 15x15x15 mm available in the thicknesses 1, 0 and 1,2 mm, and 15x20x15 mm available in one unique thickness having reinforced rounded section. The posts are connected by the means of straight or waved levers, made of steel, available in thicknesses of 2,0 / 2,5 / 4,0 mm. The posts lean on ball bearing wheels which scroll in upper and lower guides; the lower guide is raisable if needed. The closure is made by a double block or reinforced YALE or SEA lock. Upon request, the gate type 15x15x15 mm is available in stainless steel AISI 304.

Conform to the norm UNI EN 13241-1 

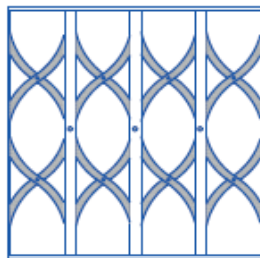
### Characteristics and materials

Model	CS ROMBO	CS ROBUS ROMBO	CS ONDA CLASSICA/DANUBIO/LOIRA	CS ROBUS ONDA CLASSICA/DANUBIO/LOIRA	CS INOX
Material	Galvanized steel	Galvanized steel	Galvanized steel	Galvanized steel	St. steel AISI 304
Profile dimensions [mm]	15x15x15	15x20x15	15x15x15	15x20x15	15x15x15
Profile thickness [mm]	1,0 / 1,2	1,0	1,0 / 1,2	1,0	1,0
Lever thickness [mm]	Single 2,0 Single 4,0 Double 2,0+2,0 Double 4,0+4,0	Single 2,5 Single 4,0 Double 2,5+2,5 Double 4,0+4,0	Single 2,0 Single 4,0 Double 2,0+2,0 Double 4,0+4,0	Single 2,5 Single 4,0 Double 2,5+2,5 Double 4,0+4,0	Single 2,0

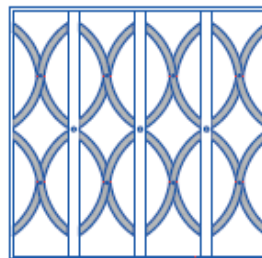
### Levers models



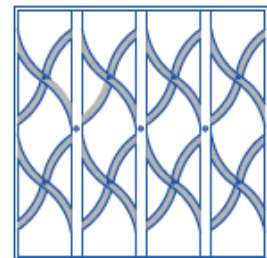
ROMBO



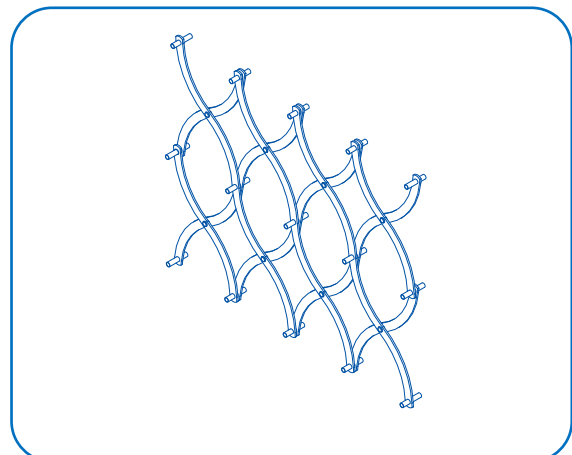
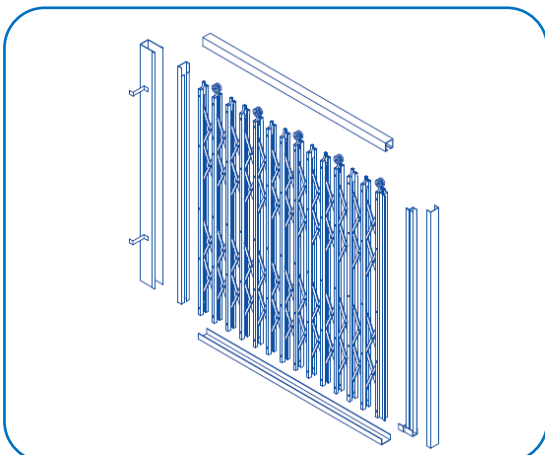
ONDA CLASSICA



ONDA LOIRA



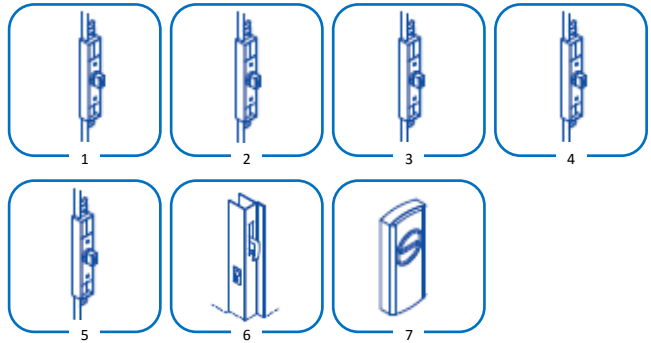
ONDA DANUBIO



## Accessories

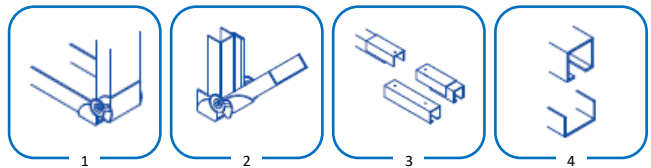
### Locking systems

1. Lock with 2 or 4 hooks – Type Yale
2. Lock with 4 hooks – Type Yale reinforced
3. Lock with 2 or 4 hooks – Type CS SEA drill-proof (see specifications at bottom page)
4. Lock with 4 hooks – Type CS SEA drill-proof and reinforced (see specifications at bottom page)
5. Lock of the Yaleor SEA type (2 keys) with upper and lower latch bars
6. Lock with 4 hooks and increased profile, protected by a covering to avoid tampering (cylinder excluded)
7. Outer Defender (for increased profile type only, prepared for European cylinder)



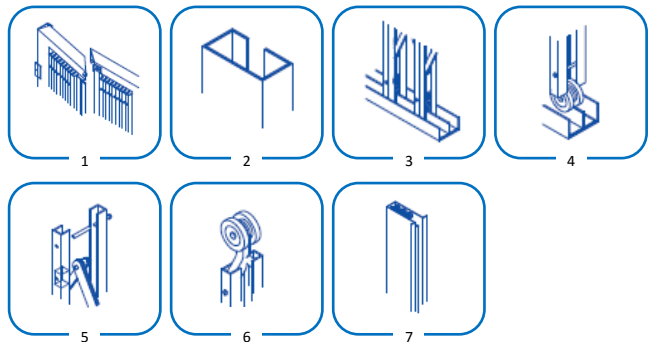
### Guides

1. Lower liftable guide
2. Lower liftable guide on the contact post
3. Surcharge for the split of the upper guide
4. Pair of upper and lower guides, curved 90°, bending radius 600 mm or as customer design



### Other

1. System for the rotation of the opened gat, liftable guide included
2. "C" profile for stoppering recommended specially for those installed behind the opening
3. Protection system with facilitated sliding recommended as a tear-proof SAFETY system
4. Gates with lower scrolling
5. Special stops made of galvanized rods
6. "CS Record" sliding carriage in Teflon recommended to reduce noise
7. Special guard in pressed galvanized plate for built-in folding gates



### SEA type lock

The safety provided by that system is mostly given by the huge amount of key combinations, which theoretically reach the number of 46.000 (15.000 effective) even in the version RBZ. This feature, associated with the peculiar type of slot, makes unlikely the opening of the lock with "skill". A burglar attack might be successful only by rotating the cylinder and the pawl independently of one another but this event cannot occur since an additional "6 pins combination" interferes between the cylinder and the pawl at every extraction of the key.

## Finishing

Standard painting					
1000	Green beige	7004	Signal grey	8017	Chocolate brown
1001	Beige	7016	Anthracite grey	8019	Grey brown
1013	Oyster white	7021	Black grey	8024	Beige brown
1015	Light Ivory	7024	Graphite grey	9001	Cream
6005	Moss green	7040	Window grey	9002	Grey white
6009	Fir green	7046	Telegrey 2	9005	Jet black
6015	Black olive	7047	Telegrey 4	9010	Pure white
6019	Pastel green	8004	Copper brown	9011	Graphite black
6020	Mint green	8011	Nut brown	9016	Traffic white
7000	Squirrel grey	8014	Sepia brown		
7001	Silver grey	8016	Mahogany brown		

Special colours	
RAL 9006	Grey Arsonsisi
RAL colours not included in Standard painting	Metallic black
White: Marble (smooth) – Ancient marble (rough)	Black/ Brown: Sandy (rough)
Grey: Marble (smooth) - Ancient marble (rough)	Sandy 900
Brown: Marble (smooth) – Ancient Marble (rough)	Gunmetal
Green: Marble (smooth) – Ancient Marble (rough)	Gold color for external use
Red: Marble (smooth)	Hammered Brown for external use



Details and images in this leaflet are not binding.  
Conegliano Serramenti s.r.l. reserve the right to modify them without notice at any time.

**Conegliano Serramenti s.r.l.**  
Via Campolongo, 1/D - zona industriale Ramera - 31010 Mareno di Piave (TV) - Italy  
Tel. +39 0438.4985 - Fax +39 0438.498530 - Web: [www.coneglianoserramenti.it](http://www.coneglianoserramenti.it) - E-mail: [info@coneglianoserramenti.it](mailto:info@coneglianoserramenti.it)  
P.I. e C.F.: 00532460268 - Capitale Sociale.: Euro 78.000,00 i.v.